

NEW PRODUCT NEWS *SPADE-RUSH*



**New 2PKT Expanded to Flat Bottom Face 05
and 07 High Feed Inserts Released**



KEY POINT

TaeguTec's SPADERUSH line now expanded to flat bottom face.

TaeguTec's **SPADERUSH** line – known for precision, stable drilling based on a rigid clamping design – now introduces a new **LCD-F** drill head for flat bottom face machining.

The **LCD-F** drill head's unique edge shape enables stable operation due to its excellent chip segmentation created when drilling.

Specifically in bolt hole machining, the drill head's unique shape creates the required flat bottom surface in just one operation, thereby significantly reducing the machining time by eliminating the additional step of pilot hole drilling.

A further advantage of the new **LCD-F** drill head is its compatibility with the existing **SPADERUSH** drill line; this makes it possible for end-users to perform a variety of operations with the current line of drill bodies.

Features

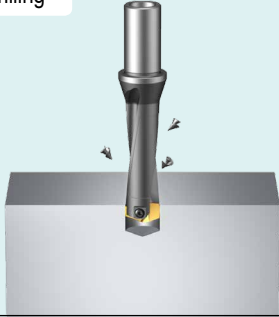
- Excellent chip segmentation and maximized machining stability
- Unique cutting edge generates a flat bottom face
- Increased productivity due to reduced machining time
- Suitable for steel and cast iron machining
- Drill diameter range: 20.0-41.0 mm (0.5 mm units)



Bolt hole machining application

Conventional machining:

Pilot hole drilling



Counter boring (end mill)

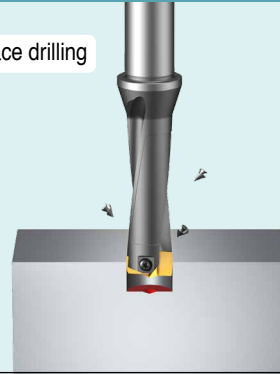


Bolt hole drilling

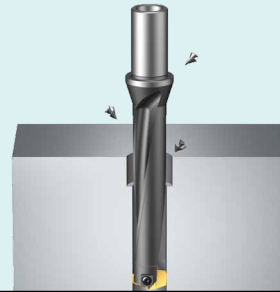


LCD-F machining:

Flat bottom face drilling



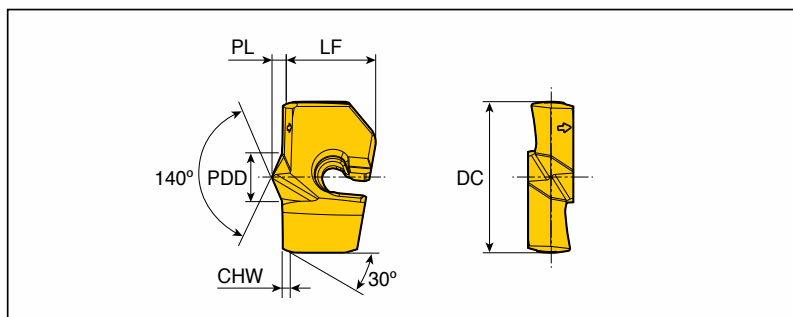
Bolt hole drilling



3 steps \rightarrow **2 steps**
*Shorter
machining time*

LCD...-F

Drill head



Designation	Dimension (mm)						Grade
	DC	PL	LF	CHW	SSC	PDD	TT9080
LCD - 200-F	20.0	2.11	11.76	0.7	20	6.0	●
205-F	20.5	2.11	11.76	0.7	20	6.0	●
210-F	21.0	2.11	11.76	0.7	20	6.0	●
215-F	21.5	2.11	11.76	0.7	20	6.0	●
220-F	22.0	2.27	12.76	0.7	22	6.6	●
225-F	22.5	2.27	12.76	0.7	22	6.6	●
230-F	23.0	2.27	12.76	0.7	22	6.6	●
235-F	23.5	2.27	12.76	0.7	22	6.6	●
240-F	24.0	2.43	13.26	0.7	24	7.2	●
245-F	24.5	2.43	13.26	0.7	24	7.2	●
250-F	25.0	2.43	13.26	0.7	24	7.2	●
255-F	25.5	2.43	13.26	0.7	24	7.2	●
260-F	26.0	2.50	14.90	0.7	26	7.8	●
265-F	26.5	2.50	14.90	0.7	26	7.8	●
270-F	27.0	2.50	14.90	0.7	26	7.8	●
275-F	27.5	2.50	14.90	0.7	26	7.8	●
280-F	28.0	2.66	15.31	0.7	28	8.4	●
285-F	28.5	2.66	15.31	0.7	28	8.4	●
290-F	29.0	2.66	15.31	0.7	28	8.4	●
295-F	29.5	2.66	15.31	0.7	28	8.4	●
300-F	30.0	2.82	17.76	0.7	30	9.0	●
305-F	30.5	2.82	17.76	0.7	30	9.0	●
310-F	31.0	2.82	17.76	0.7	30	9.0	●
315-F	31.5	2.82	17.76	0.7	30	9.0	●
320-F	32.0	2.98	18.31	0.7	32	9.6	●
325-F	32.5	2.98	18.31	0.7	32	9.6	●
330-F	33.0	2.98	18.31	0.7	32	9.6	●
335-F	33.5	2.98	18.31	0.7	32	9.6	●
340-F	34.0	2.98	18.31	0.7	32	9.6	●
345-F	34.5	2.98	18.31	0.7	32	9.6	●
350-F	35.0	3.21	20.30	0.7	35	10.5	●
355-F	35.5	3.21	20.30	0.7	35	10.5	●
360-F	36.0	3.21	20.30	0.7	35	10.5	●
365-F	36.5	3.21	20.30	0.7	35	10.5	●
370-F	37.0	3.21	20.30	0.7	35	10.5	●
375-F	37.5	3.21	20.30	0.7	35	10.5	●
380-F	38.0	3.44	20.90	0.7	38	11.4	●
385-F	38.5	3.44	20.90	0.7	38	11.4	●
390-F	39.0	3.44	20.90	0.7	38	11.4	●
395-F	39.5	3.44	20.90	0.7	38	11.4	●
400-F	40.0	3.44	20.90	0.7	38	11.4	●
405-F	40.5	3.44	20.90	0.7	38	11.4	●
410-F	41.0	3.44	20.90	0.7	38	11.4	●

● SSC : Seat size code

● Standard items