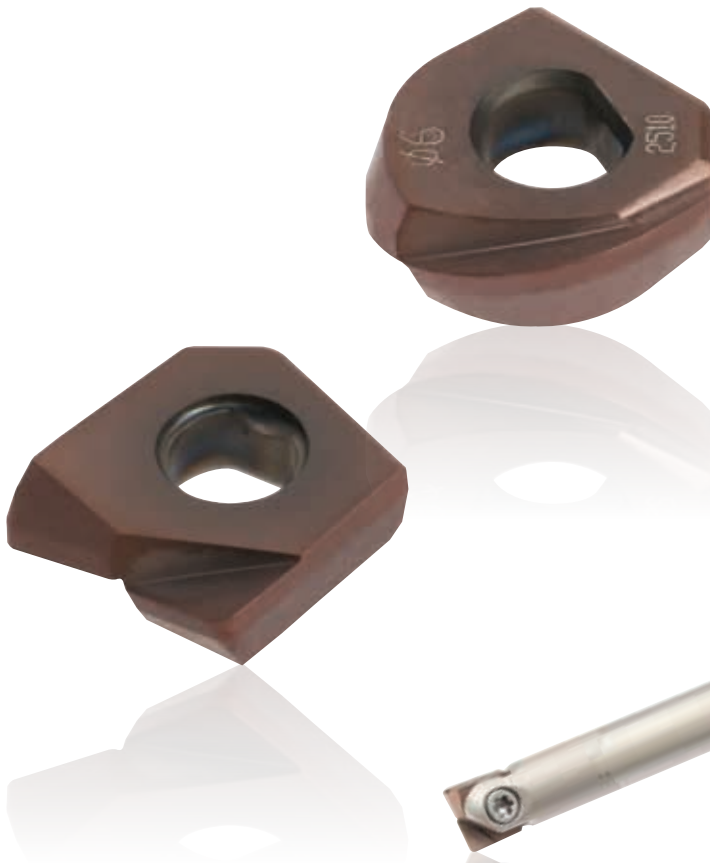


# NEW PRODUCT NEWS

## FINEBALL



New 06 Size Items Now Available to the NFB and NFR Lines



## KEY POINT

TaeguTec has launched additional Ø6 items to its FINEBALL line, a line widely used in finishing applications for both the mold and die as well as aerospace industries.

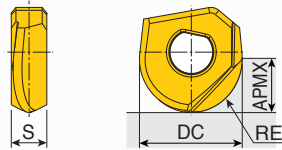
The Ø6 **FINEBALL**, along with the current Ø8 and Ø10 lines, are an efficient and affordable solution that replaces the solid carbide end mill. Even though the **FINEBALL** line is an insert type cutting tool solution, it has proven itself with excellent results in narrow corner and profiling operations with superior precision and performance.

The new inserts are available in two types; an NFB and NFR type along with the existing **FINEBALL** inserts. The NFB type comes in two edges: the NFB-SM with a helical cutting edge and the NFB-FM with a straight cutting edge, while the NFR type comes in several corner R items.



Holders come in two types: a TNF item for both the NFB and NFR inserts, and a TNFR holder for the NFR insert. In addition, the **FINEBALL** tool holders are available in both steel and tungsten carbide shank types to suit a wide selection of applications and machining conditions.

## NFB 06

### Insert



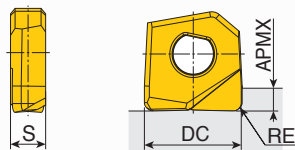
Size	Dimension (mm)				
	DC	S	RE	APMX	
<b>060</b>	6	2	3.0	4.5	

Insert	Designation	Recommended machining conditions		Coated		
		ap (mm)	Feed (mm/tooth)	TT5515	TT5525	TT2510
 Straight cutting edge	<b>NFB 060-FM</b>	0.05-0.20	0.15-0.05	●		
 Helical cutting edge	<b>NFB 060-SM</b>	0.80-2.50	0.20-0.05	●		●


●: Standard item

## NFR 06

### Insert



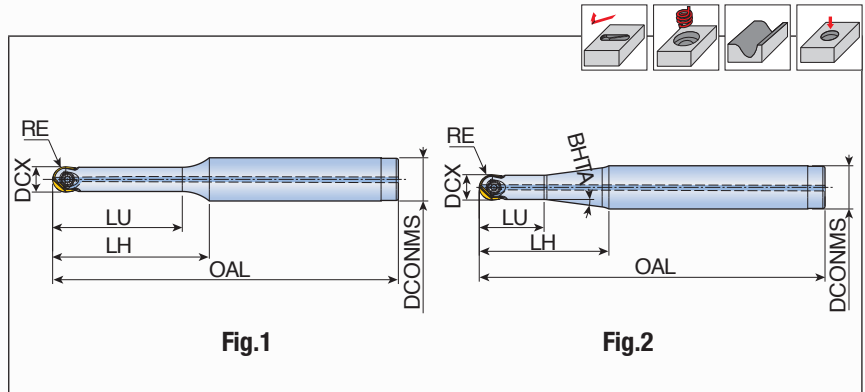
Size	Dimension (mm)				
	DC	S	RE	APMX	
<b>060</b>	6	2	0.3-1.0	2.0	

Insert	Designation	Recommended machining conditions		Coated		
		ap (mm)	Feed (mm/tooth)	TT5515	TT5525	TT2510
	<b>NFR 060A-R03</b>	0.05-0.15	0.10-0.05	●		
	<b>060A-R05</b>	0.05-0.15	0.10-0.05	●		
	<b>060A-R10</b>	0.05-0.15	0.10-0.05	●		

●: Standard item

# TNF 060

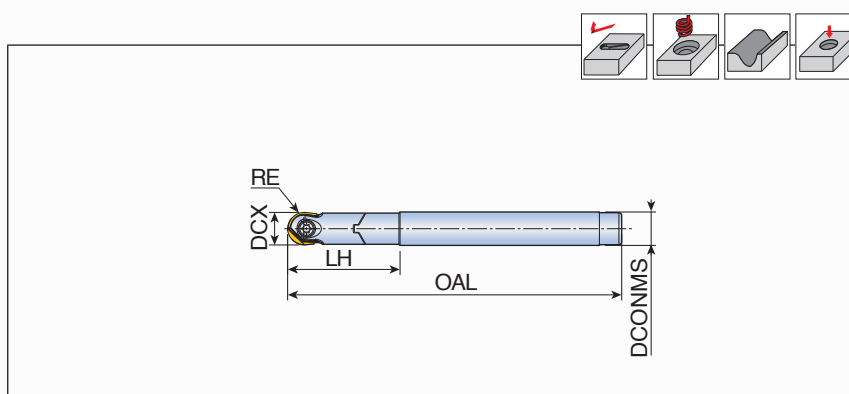
Steel shank type



Designation	Dimension (mm)							Coolant	Fig.	Insert
	DCX	RE	DCONMS	OAL	LH	LU	BHTA			
<b>TNF 060-10M</b>	6	3	10	80	30	15	7.5°	•	2	NFB 060...
<b>060-30-L80</b>	6	3	10	80	36.3	30	-	•	1	NFR 060A...



# TNF 060...-CT-L...

Tungsten carbide shank type



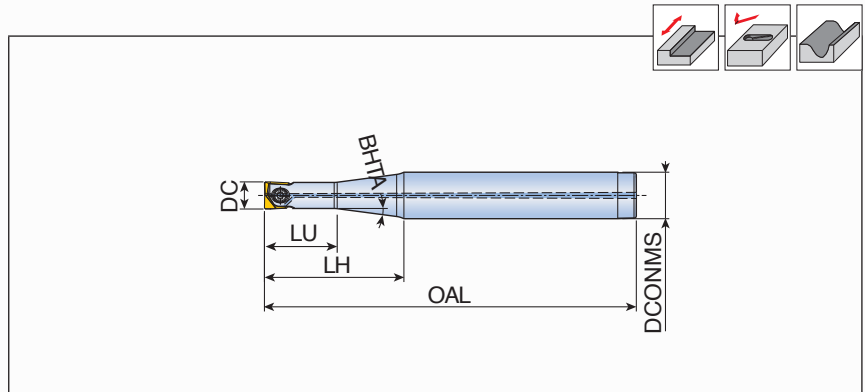
Designation	Dimension (mm)					Insert
	DCX	RE	DCONMS	OAL	LH	
<b>TNF 060-06-CT-L60</b>	6	3	6	60	15	NFB 060... NFR 060A...
<b>060-06-CT-L80</b>	6	3	6	80	20	
<b>060-06-CT-L92</b>	6	3	6	92	35	
<b>060-06-CT-L120</b>	6	3	6	120	65	
<b>060-06-CT-L140</b>	6	3	6	140	25	

## Spare parts

Designation	Screw	Wrench			
	<b>TNF 060</b>	 TS 20F060A	 TD 6		

# TNFR 060

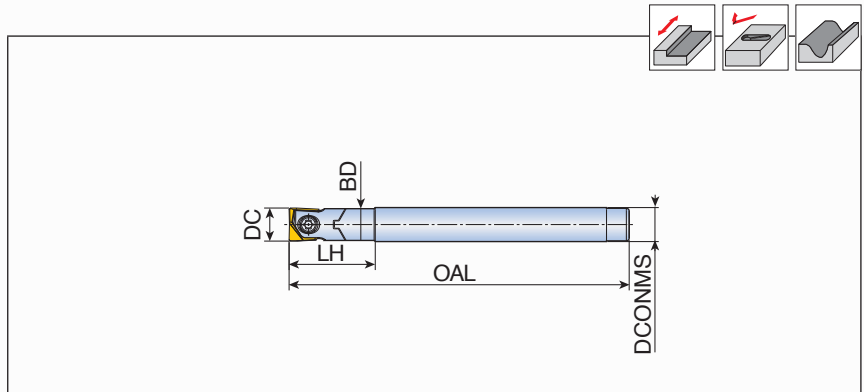
Steel shank type



Designation	Dimension (mm)						Coolant	Insert
	DC	DCONMS	OAL	LH	LU	BHTA		
<b>TNFR 060-10M</b>	6	10	80	30	15	7.5°	●	NFR 060A...



# TNFR 060...-CT-L...

Tungsten carbide shank type



Designation	Dimension (mm)					Insert
	DC	DCONMS	BD	OAL	LH	
<b>TNFR060-06-CT-L60</b>	6	6	5.8	60	15	NFR 060A...
<b>060-06-CT-L80</b>	6	6	5.8	80	20	

## Spare parts

Designation	Screw	Wrench			
					
<b>TNFR 060</b>	TS 20F060A	TD 6			