

NEW PRODUCT NEWS

TOP DUTY



Reinforced ISO Turning Lever Holder for Large Size Inserts

Improved quality with new shim reinforcement



Reinforced ISO turning lever holder for large size Inserts Improved quality with new shim reinforcement

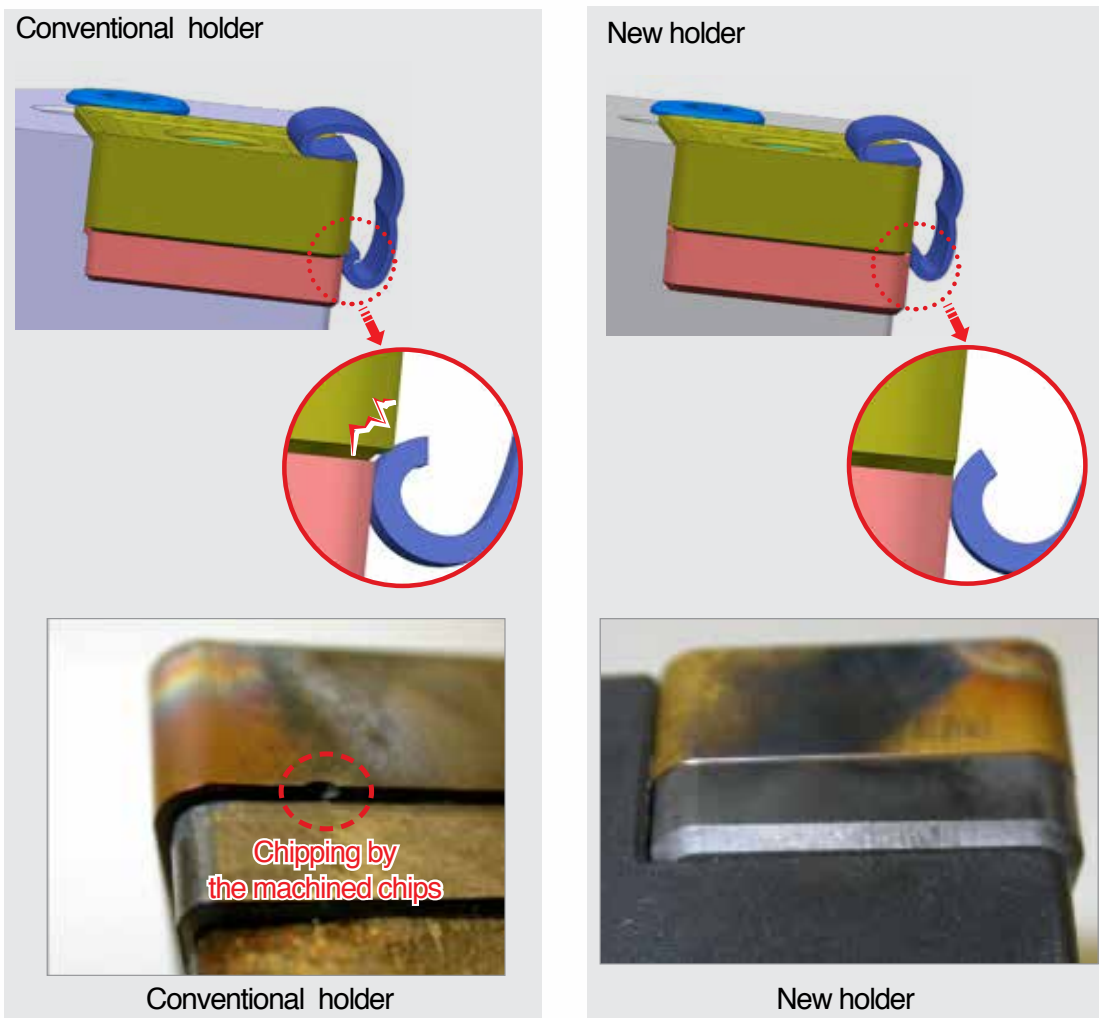
FEATURES

- IC (Inscribed Circle) and thickness of the shim size are reinforced
- Shim damage and vibration is minimized during heavy machining thanks to a widened contact area that improves rigidity
- Customers can maintain low stock levels of the C(S)N □□2507 inserts credit to the indexable shim mechanism

TaeguTec is now presenting its new large ISO lever type holder that significantly improves strength credit to a new shim design. Existing holders can be damaged by sudden insert breakages during machining. When this occurs, the machined chips may damage the insert.

In order to solve this problem, the inscribed circle (IC) of the shim has been adjusted to improve the fit with the insert. By doing so, the strength of the tool has been improved reinforced that leads much stable heavy rough machining, hence, extended insert life

TOPDUTY

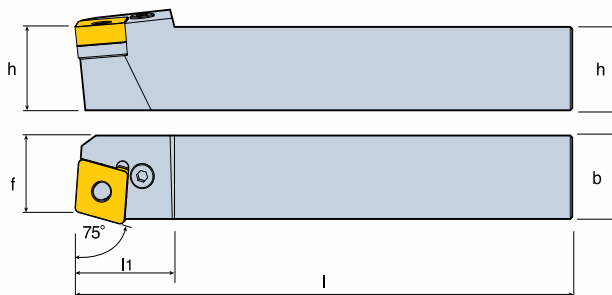


Modification details for the shim and the holder

Insert	Conventional Shim			New Shim		
	Designation	I.C	Thickness	Designation	I.C	Thickness
CN□□ 1906	LSC 63	17.9	4.76	LSC 64D	19.05	6.35
CN□□ 2507	LSC 85	24.4	7.94	LSC 85D	25.4	7.94
CN□□ 2509	LSC 83	24.4	4.76	LSC 84D	25.4	6.35
SN□□ 1906	LSS 63	17.9	4.76	LSS 64D	19.05	6.35
SN□□ 2507	LSS 84	24.4	6.35	LSS 85D	25.4	7.94
SN□□ 2509	LSS 84	24.4	6.35	LSS 84D	25.4	6.35

TOPDUTY

PCBNR/L □□□□D

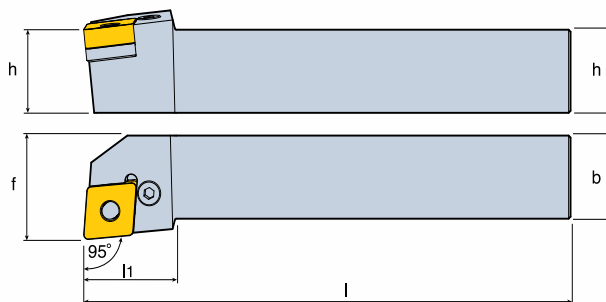


Designation			Dimension (mm)					Insert	Components				
	R	L	h	b	l	l ₁	f		Lever	Screw	Shim	Shim pin	Wrench
PCBNR/L 4040 S1906D	●	●	40	40	250	37	37	CN□□ 1906□□					
4040 S2509D	●	●	40	40	250	50	37	CN□□ 2509□□					
5050 T2509D	●	●	50	50	300	50	47						

LSC 85D Shim can be used for CN□□ 2507□□ Insert.

● Marked: Standard Items

PCLNR/L □□□□D



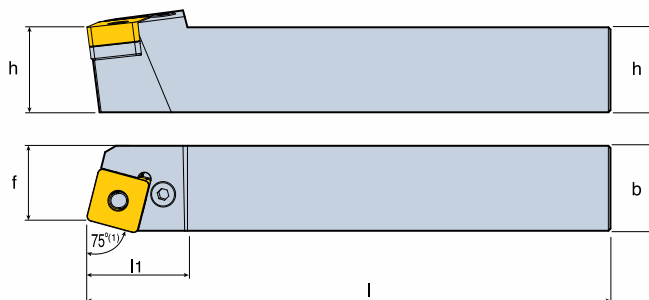
Designation			Dimension (mm)					Insert	Components				
	R	L	h	b	l	l ₁	f		Lever	Screw	Shim	Shim pin	Wrench
PCLNR/L 4040 S1906D	●	●	40	40	250	38	50	CN□□ 1906□□					
4040 S2509D	●	●	40	40	250	47	50	CN□□ 2509□□					
5050 T2509D	●	●	50	50	300	47	60						

LSC 85D Shim can be used for CN□□ 2507□□ Insert.

● Marked: Standard Items

TOPDUTY

PSBNR/L □□□□D

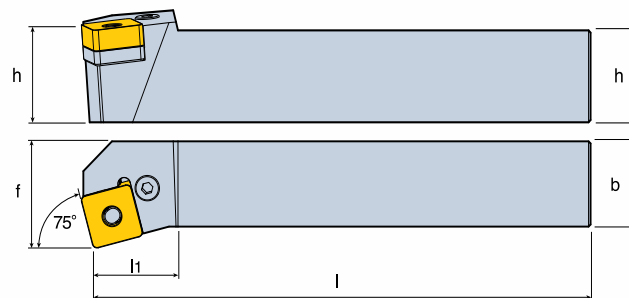


Designation			Dimension (mm)					Insert	Components				
	R	L	h	b	l	l ₁	f		Lever	Screw	Shim	Shim pin	Wrench
PSBNR/L 4040 S1906D	●	●	40	40	250	39	35	SN□□ 1906□□					
4040 S2509D	●	●	40	40	250	48	35	SN□□ 2509□□					
4040 S2509D-A85 ⁽¹⁾	●	●	40	40	250	48	39.5						
5050 T2509D	●	●	50	50	300	48	43						

LSS 85D Shim can be used for SN□□ 2507□□ Insert.
(1) 4040 S2509D-A85 in 85°

● Marked: Standard Items

PSKNR/L □□□□D



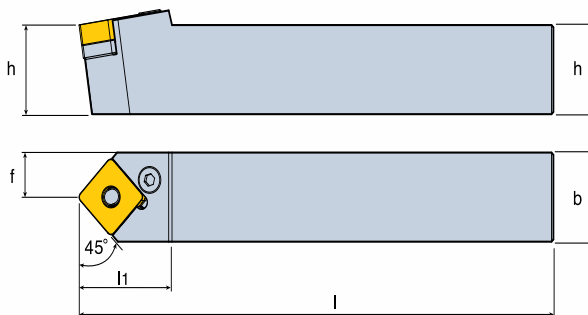
Designation			Dimension (mm)					Insert	Components				
	R	L	h	b	l	l ₁	f		Lever	Screw	Shim	Shim pin	Wrench
PSKNR/L 4040 S2509D	●	●	40	40	250	42	50	SN□□ 2509□□					

LSS 85D Shim can be used for SN□□ 2507□□ Insert.

● Marked: Standard Items

TOPDUTY

PSDNN □□□□D



Designation		Dimension (mm)					Insert	Components					
		h	b	l	l ₁	f		Lever	Screw	Shim	Shim pin	Wrench	
PSDNN 4040 S1906D	●	40	40	250	40.5	20	SN□□ 1906□□						
4040 S2509D	●	40	40	250	48	20		SN□□ 2509□□					
5050 T2509D	●	50	50	300	48	25							

LSS 85D Shim can be used for SN□□ 2507□□ Insert.

● Marked: Standard Items

TOPDUTY

* Old type of holder will be replace by new type of holder.

Old		New	
3600864	PCLNL 4040 S19	3605902	PCLNL 4040 S1906D
3600865	PCLNL 4040 S25	3605904	PCLNL 4040 S2509D
3600868	PCLNL 5050 T25	3605906	PCLNL 5050 T2509D
3600876	PCLNR 4040 S19	3605901	PCLNR 4040 S1906D
3600877	PCLNR 4040 S25	3605903	PCLNR 4040 S2509D
3600880	PCLNR 5050 T25	3605905	PCLNR 5050 T2509D
3600846	PCBNL 4040 S19	3605908	PCBNL 4040 S1906D
3600847	PCBNL 4040 S25	3605910	PCBNL 4040 S2509D
3600850	PCBNL 5050 T25	3605912	PCBNL 5050 T2509D
3600853	PCBNR 4040 S19	3605907	PCBNR 4040 S1906D
3600854	PCBNR 4040 S25	3605909	PCBNR 4040 S2509D
3601681	PCBNR 5050 T25	3605911	PCBNR 5050 T2509D
3600945	PSBNL 4040 S19	3605914	PSBNL 4040 S1906D
3600946	PSBNL 4040 S25	3605916	PSBNL 4040 S2509D
3602956	PSBNL 4040 S2509		
3605327	PSBNL 4040 S2509-A85	3605918	PSBNL 4040 S2509D-A85
3600950	PSBNL 5050 T25	3605920	PSBNL 5050 T2509D
3603574	PSBNL 5050 T2509		
3600955	PSBNR 4040 S19	3605913	PSBNR 4040 S1906D
3600956	PSBNR 4040 S25	3605915	PSBNR 4040 S2509D
3602675	PSBNR 4040 S2509		
3605215	PSBNR 4040 S2509-A85	3605917	PSBNR 4040 S2509D-A85
3600958	PSBNR 5050 T25	3605919	PSBNR 5050 T2509D
3602632	PSBNR 5050 T2509		
3600973	PSKNL 4040 S25	3605922	PSKNL 4040 S2509D
3605257	PSKNL 4040 S2509		
3600979	PSKNR 4040 S25	3605921	PSKNR 4040 S2509D
3605258	PSKNR 4040 S2509		
3600963	PSDNN 4040 S19	3605923	PSDNN 4040 S1906D
3600964	PSDNN 4040 S25	3605924	PSDNN 4040 S2509D
3605494	PSDNN 4040 S2509		
3600968	PSDNN 5050 T25	3605925	PSDNN 5050 T2509D
3605493	PSDNN 5050 T2509		